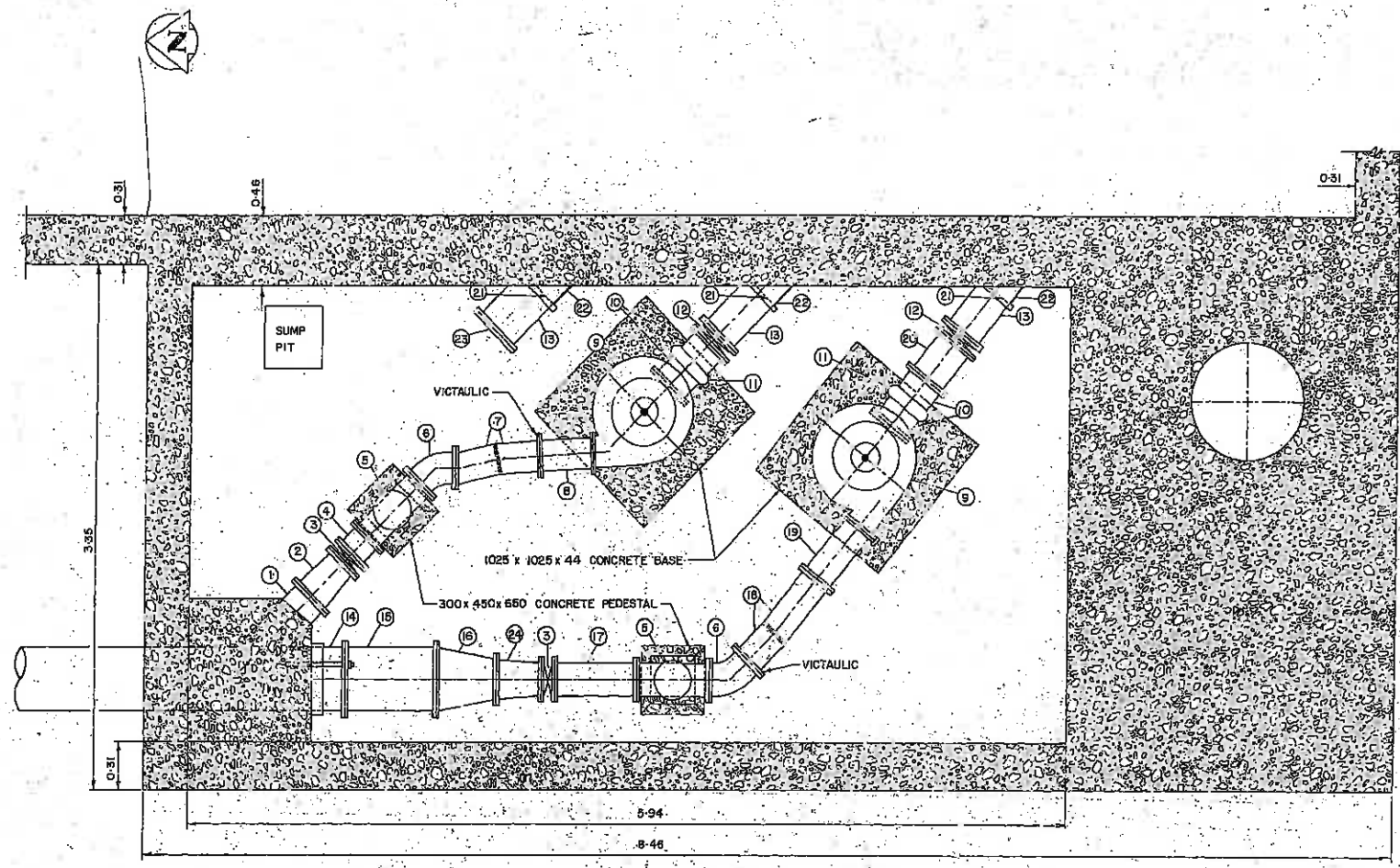


# **APPENDIX D**

## **EXISTING STATION DRAWINGS**



ITEM	LENGTH	SIZE	ITEM	ENDS
①*	733 (EXPOSED)	250	STEEL PIPE (WALL PIECE)	FLANGE
②	200	250 to 200	CONCENTRIC STEEL REDUCER	FLANGE TO FLANGE
③	69	200	WAFER KNIFE GATE VALVE	FLANGE TO FLANGE
④	150	200	STEEL PIPE (OFFSET)	FLANGE TO FLANGE
⑤	488	200	CHECK VALVE	FLANGE TO FLANGE
⑥	200	200	45° STEEL ELBOW	FLANGE TO FLANGE
⑦	575	200	STEEL PIPE (FIELD WELDED TO FIT)	FLANGE TO VICTAULIC
⑧	356	200	STEEL PIPE (OFFSET)	FLANGE TO FLANGE
⑨			PUMP	FLANGE TO FLANGE
⑩*	150	250	STEEL PIPE	FLANGE TO VICTAULIC
⑪*	75	250	VICTAULIC COUPLING	
⑫*	75	250	WAFER KNIFE GATE VALVE	FLANGE TO FLANGE
⑬*	400	250	STEEL PIPE	FLANGE TO LINK SEAL
⑭*	225 (EXPOSED)	400	STEEL PIPE (WALL PIECE)	FLANGE
⑮	600	400	STEEL PIPE	FLANGE TO FLANGE
⑯	400	400 to 250	CONCENTRIC STEEL REDUCER	FLANGE TO FLANGE
⑰	550	200	STEEL PIPE	FLANGE TO FLANGE
⑱	700	200	STEEL PIPE (FIELD WELDED TO FIT)	VICTAULIC TO FLANGE
⑲	425	200	STEEL PIPE	FLANGE TO FLANGE
⑳*	300	250	STEEL PIPE	FLANGE TO FLANGE
㉑*			LINK SEAL	
㉒*			SUCTION LINE WALL PIECE	
㉓		250	BLIND FLANGE	
㉔	300	250 to 200	ECCENTRIC STEEL REDUCER	FLANGE TO FLANGE

**NOTE:**  
LAYOUT AND INSTALLATION UNDERTAKEN BY THE COLLECTION SYSTEM.  
\*EXISTING STATION ITEMS NOT REPLACED

**AS-CONSTRUCTED**  
APR 13/87  
SURVEY ENGINEERING DATE  
WATERWORKS, WASTE & DISPOSAL DEPARTMENT

**METRIC**  
WHOLE NUMBERS INDICATE MILLIMETRES  
DECIMALIZED NUMBERS INDICATE METRES

B.M. / ELEV. NO. REVISIONS DATE BY	DESIGNED BY: LPICQU... DRAWN BY: HOR. SCALE: 1:200 VERTICAL: DATE: APRIL, 1987	CHECKED BY: APPROVED BY: RELEASED FOR CONSTRUCTION: DATE:	ENGINEER'S SEAL	<b>THE CITY OF WINNIPEG</b> WORKS AND OPERATIONS DIVISION AUBREY PUMPING STATION PIPING MODIFICATIONS CITY DRAWING NUMBER SHEET OF <b>1218</b>
			CONSULTANT DRAWING NO.	
			CONSTRUCTION DATE:	
			RELEASED FOR CONSTRUCTION:	

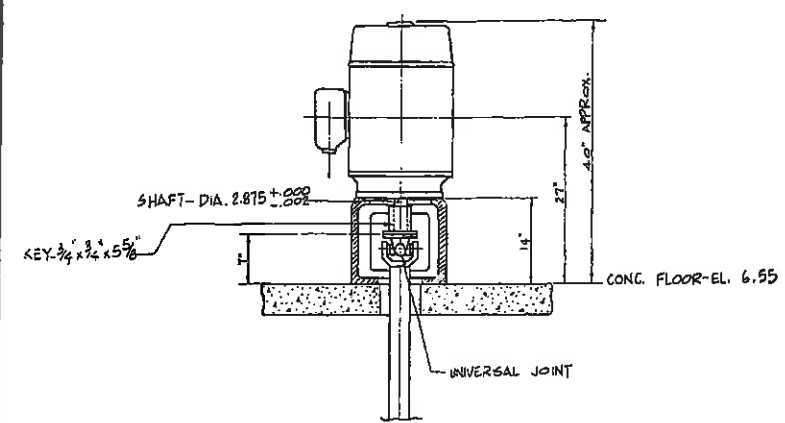




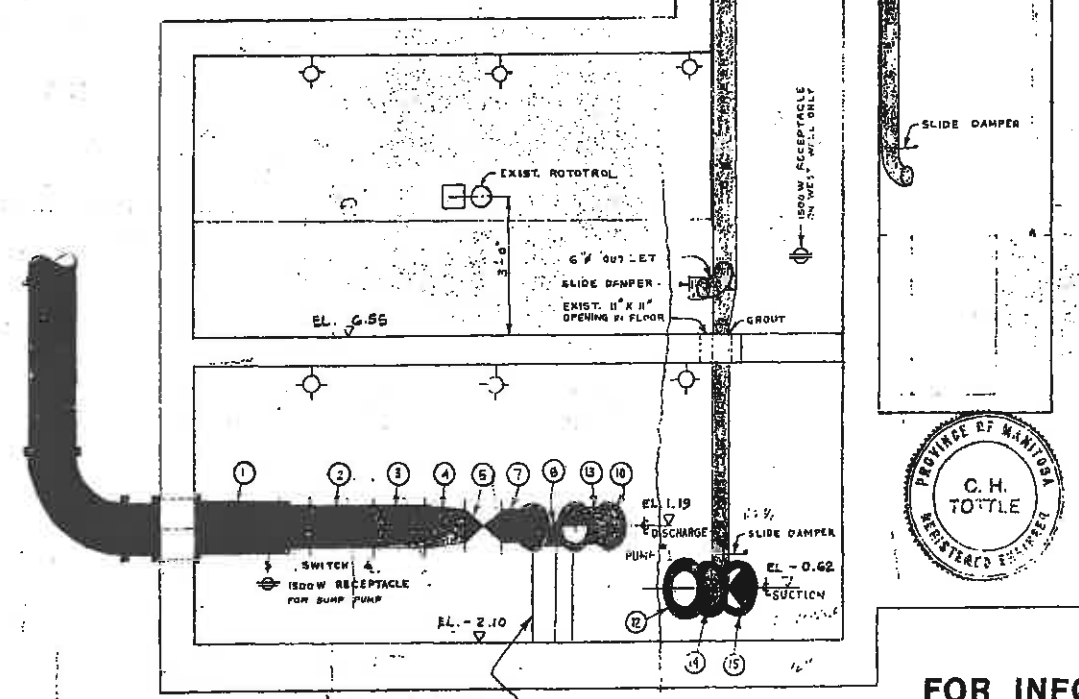
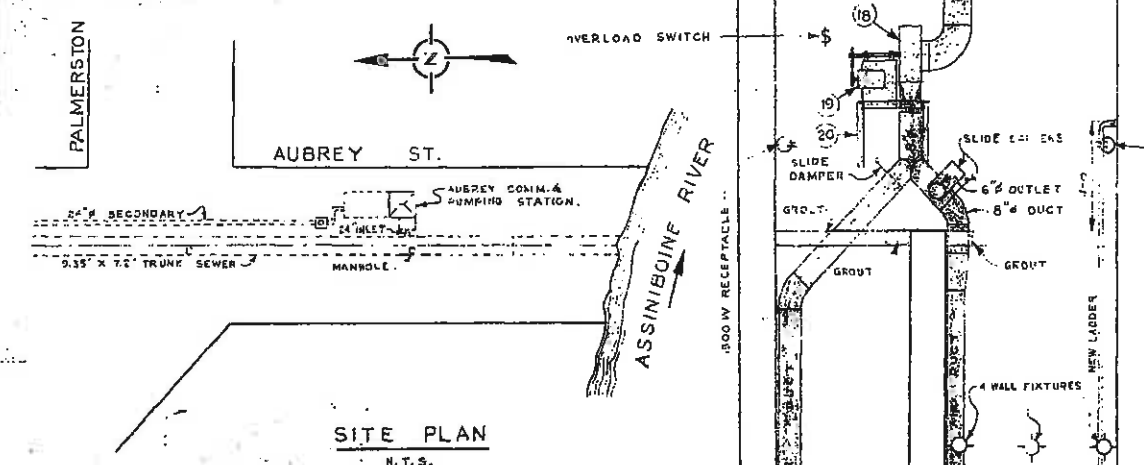
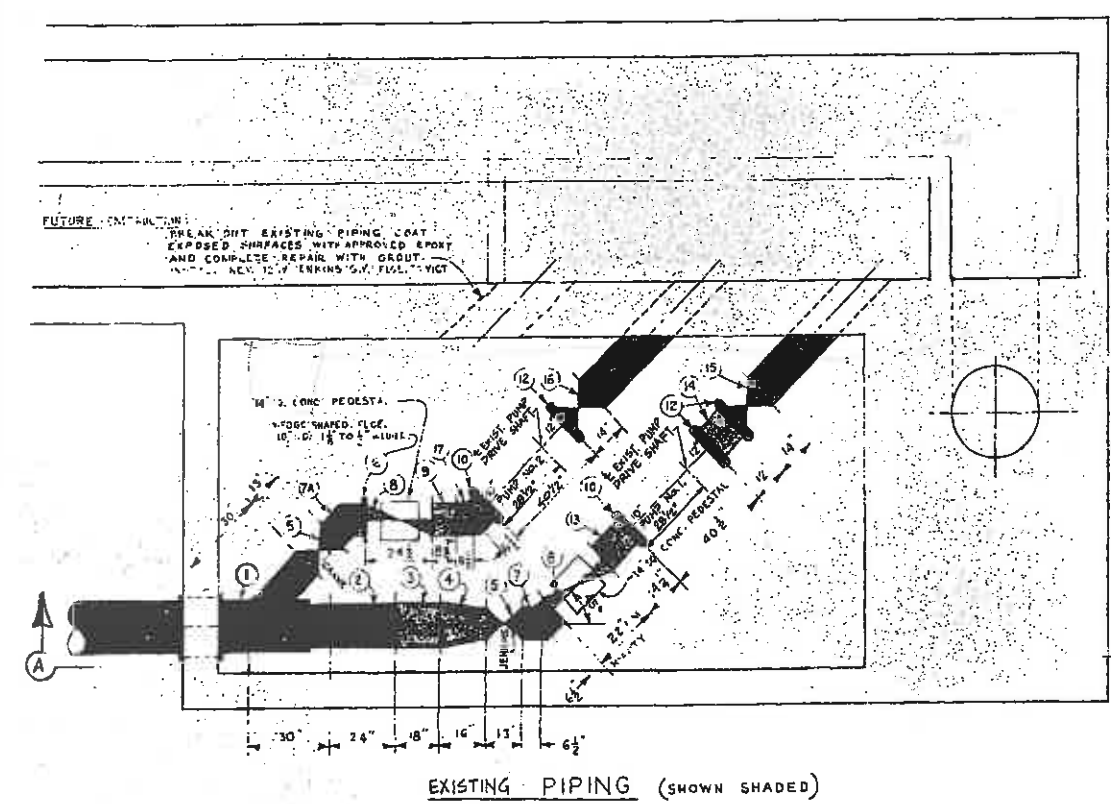
File # SP10106

498B

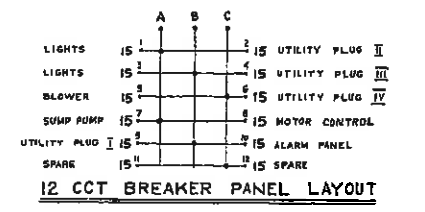
REF. OF DRAWING NO. DETAILS



**BROOK ELECTRIC MOTOR**  
 FRAME 404TC, 60 HP, 3 PHASE  
 60 HERTZ, 550 VOLT, 1200 RPM

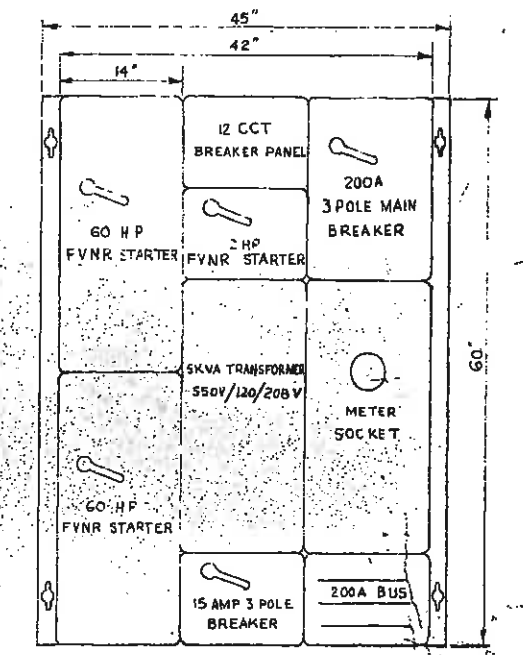


MATERIAL LIST					
NO.	QTY	SIZE	DESCRIPTION	END	REMARKS
1	1	15x14x10	C.I. TEE	FLGE - FLGE	EXISTING
2	1	14	C.I. FILLER	" "	"
3	1	14	C.I.	" "	"
4	1	14x10	C.I. REDUCER	" "	"
5	2	10	C.I. GATE VALVES	" "	EXISTING
6	1	10	C.I. FILLER WEDGE SHAPED	FLANGE	WEDGE SHAPED
7	1	10	C.I. ELBOWS	FLGE - FLGE	EXIST
8	2	10	C.I. CHECK VALVES	" "	"
9	1	10	C.I. FILLER	" "	"
10	2	10	VICTAULIC COUPLINGS	" "	EXIST.
11	3	12	VICTAULIC COUPLINGS	" "	EXIST
12	3	10	C.I. FILLER	FLGE - VICT	"
13	1	12	C.I.	VICT - VICT	"
14	1	12	C.I. GATE VALVE	FLGE - VICT	EXIST. UP
15	1	12	C.I.	VICT - FLGE	"
16	1	10	C.I. ELBOW	PLGE - VICT	"
17	1	10	FAN	" "	"
18	1	1/2 HP	MOTOR	" "	DUAL SPEED
19	1	2x2x1/2	SUPPORT	" "	WALL MOUNTED
20	1	70 SUIT	CARNES ALUM LOUVER MODEL L-36	" "	"
21	1	10	ELBOW	FLGE - FLGE	SPECIAL CASTING



**LIST OF FIXTURES**

- PUMP FLOOR - 1 CEILING FIXTURES; SUMP PUMP 1/2 HP 120 V. SUBA. OVERLOAD DISCONNECT PLUS PLUG I
- PUMP MOTOR FLOOR - 3 CEILING FIXTURES; UTILITY PLUG I
- COMM MOTOR FLOOR - 2 CEILING FIXTURES; UTILITY PLUGS II, III, BLOWER, OVERLOAD DISCONNECT
- VALVE CHAMBER - 1 WALL FIXTURE
- COMM CHAMBER - 4 WALL FIXTURES
- TOP FLOOR - 2 CEILING FIXTURES; UTILITY PLUG IV; 2 POLE LIGHTING SWITCH (2 SPEED SELECTROL SWITCH FOR BLOWER)



**ELECTRICAL DISTRIBUTION CENTER**  
 (KLOCKNER MOELLER)  
 LOCATED ON NORTH WALL OF SUPERSTRUCTURE



FOR INFORMATION ONLY

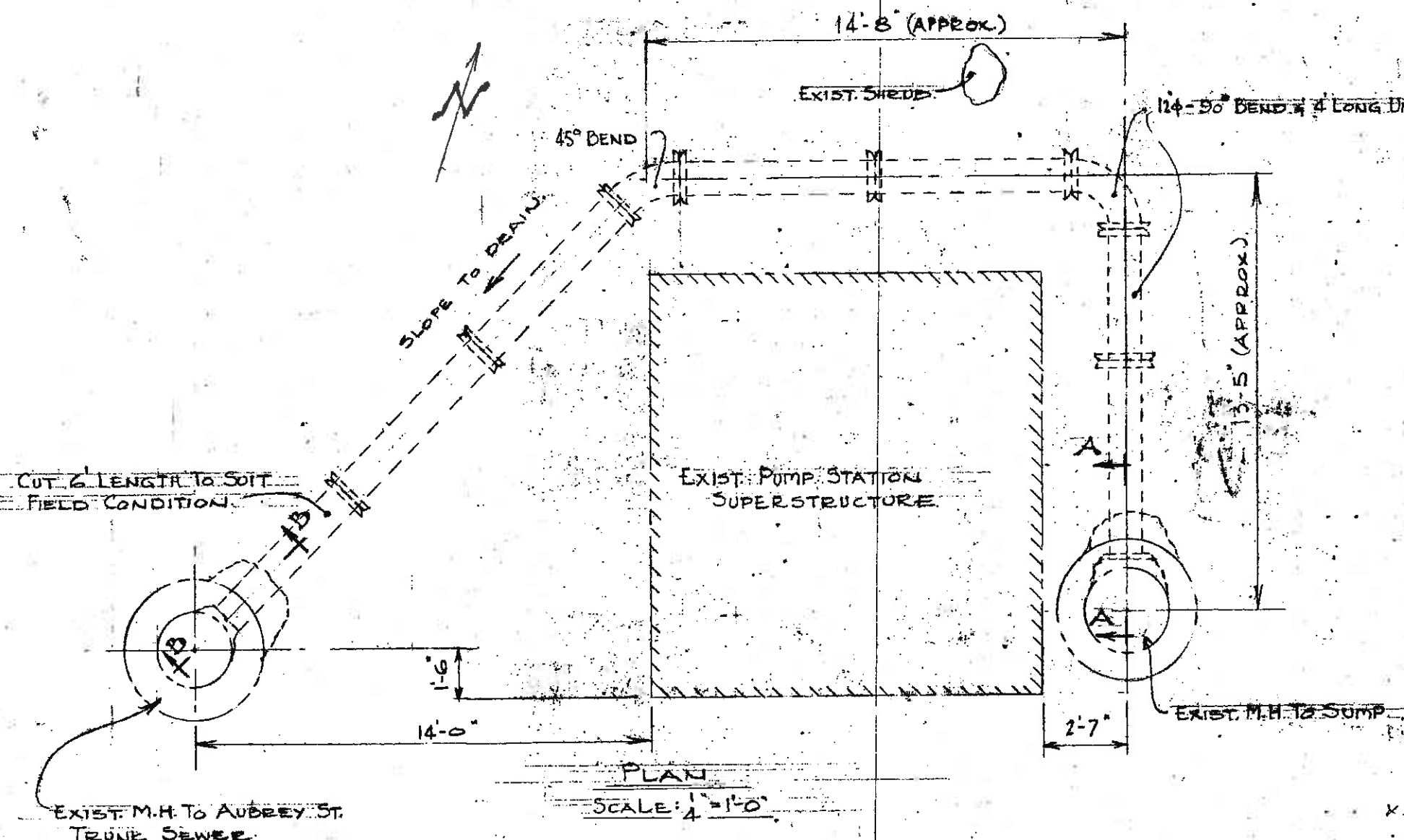
THE METROPOLITAN CORPORATION OF GREATER WINNIPEG  
**WATERWORKS & WASTE DISPOSAL DIVISION**  
 PENMAN - DIRECTOR

SE WAGE DISPOSAL DEPT.  
**ALTERATIONS TO AUBREY ST. COMM. & PUMPING STATION**

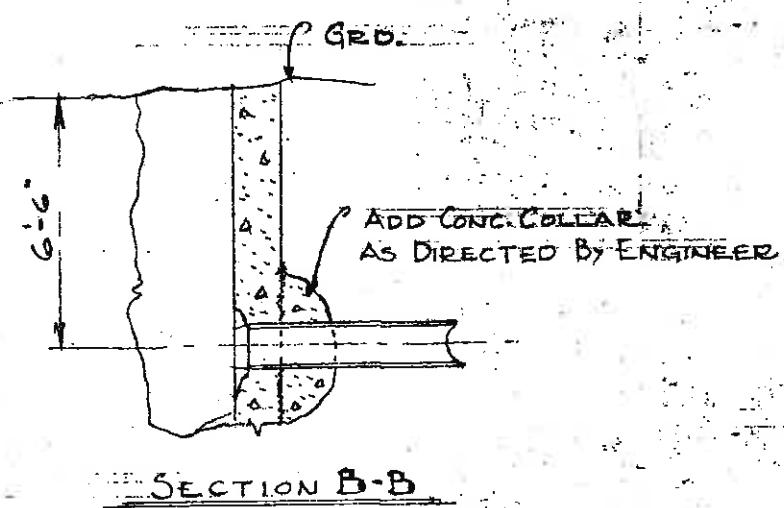
APPROVED: [Signature]  
 DATE: 27 NOV 20 [Year]  
 498B



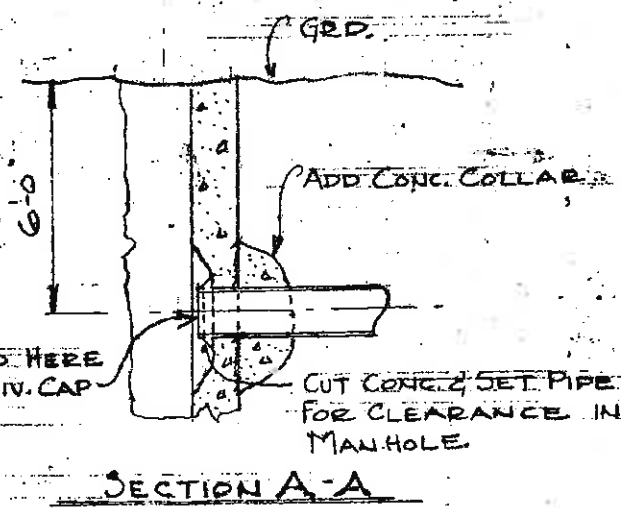




PLAN  
SCALE: 1" = 1'-0"



SECTION B-B



SECTION A-A

*file #*  
*FP10292*

MK.	No. REQD.	DESCRIPTION	LGTH.	REMARKS
x	18	NUTS & BOLTS		REQUISITION
x	1	12" φ - C.I. UNIV. CAP		REQUISITION
d	1	12" φ - C.I. UNIV. PIPE x	4	REQUISITION
c	1	12" φ - 90° BEND - UNIV.		REQUISITION
b	1	12" φ - 45° BEND - UNIV.		FROM STOCK
a	6	12" φ C.I. UNIV. PIPE x	6'	FROM STOCK

<b>GREATER WINNIPEG SANITARY DISTRICT</b>		
DRAWN W.R.H.	DATE 12/5/52	TITLE:
TRACED	CHECKED	AIR VENT FROM SUMP
APPROVED <i>[Signature]</i>	SUPT.	AT ABBEY ST. PUMP
GEN. MGR.	SCALE NOTED	DWG. NO. M 186